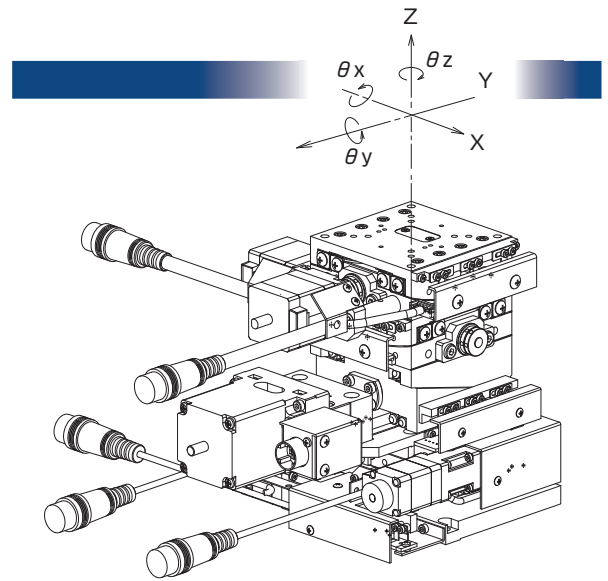
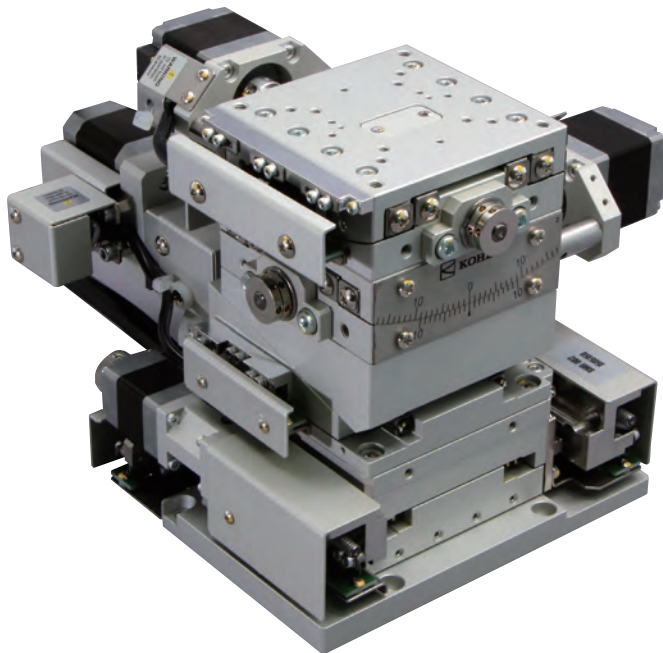


Compact 6-Axis Manipulator

SMR-6B2



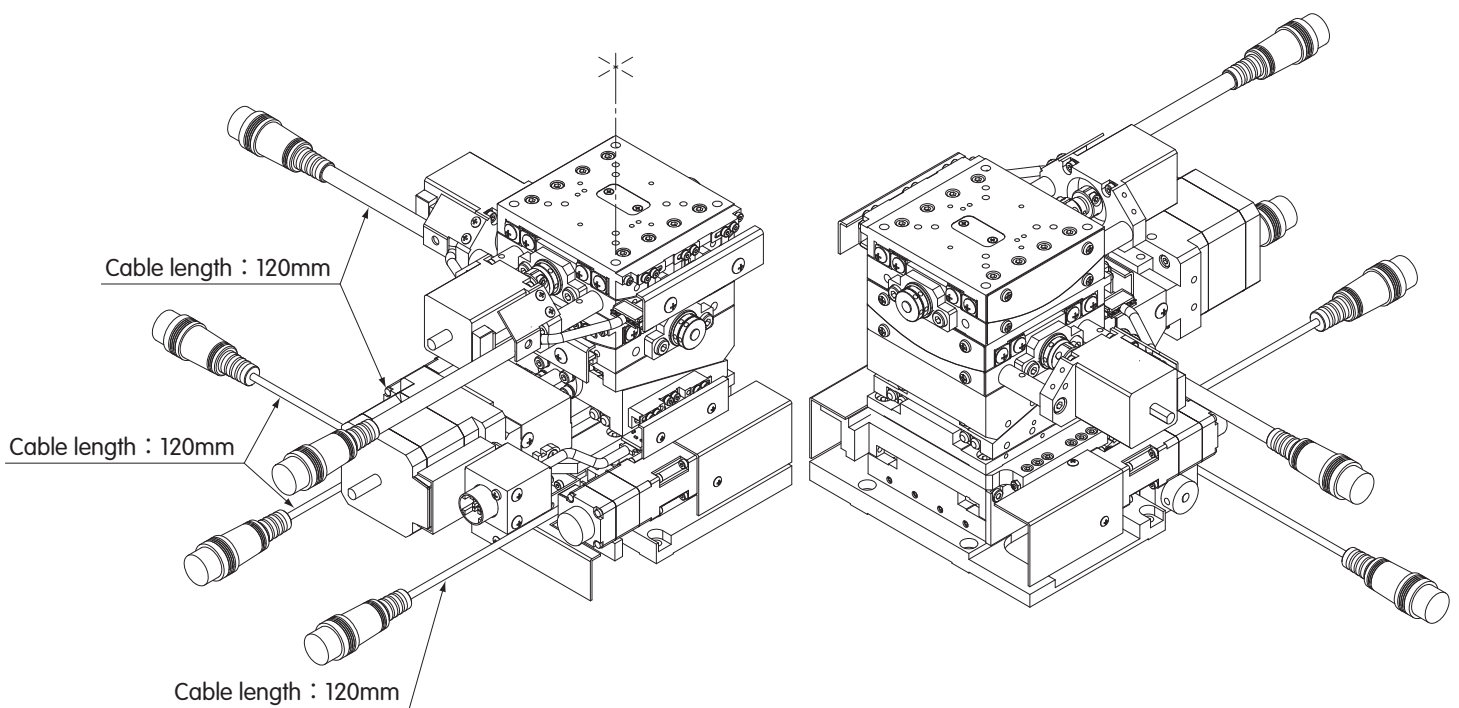
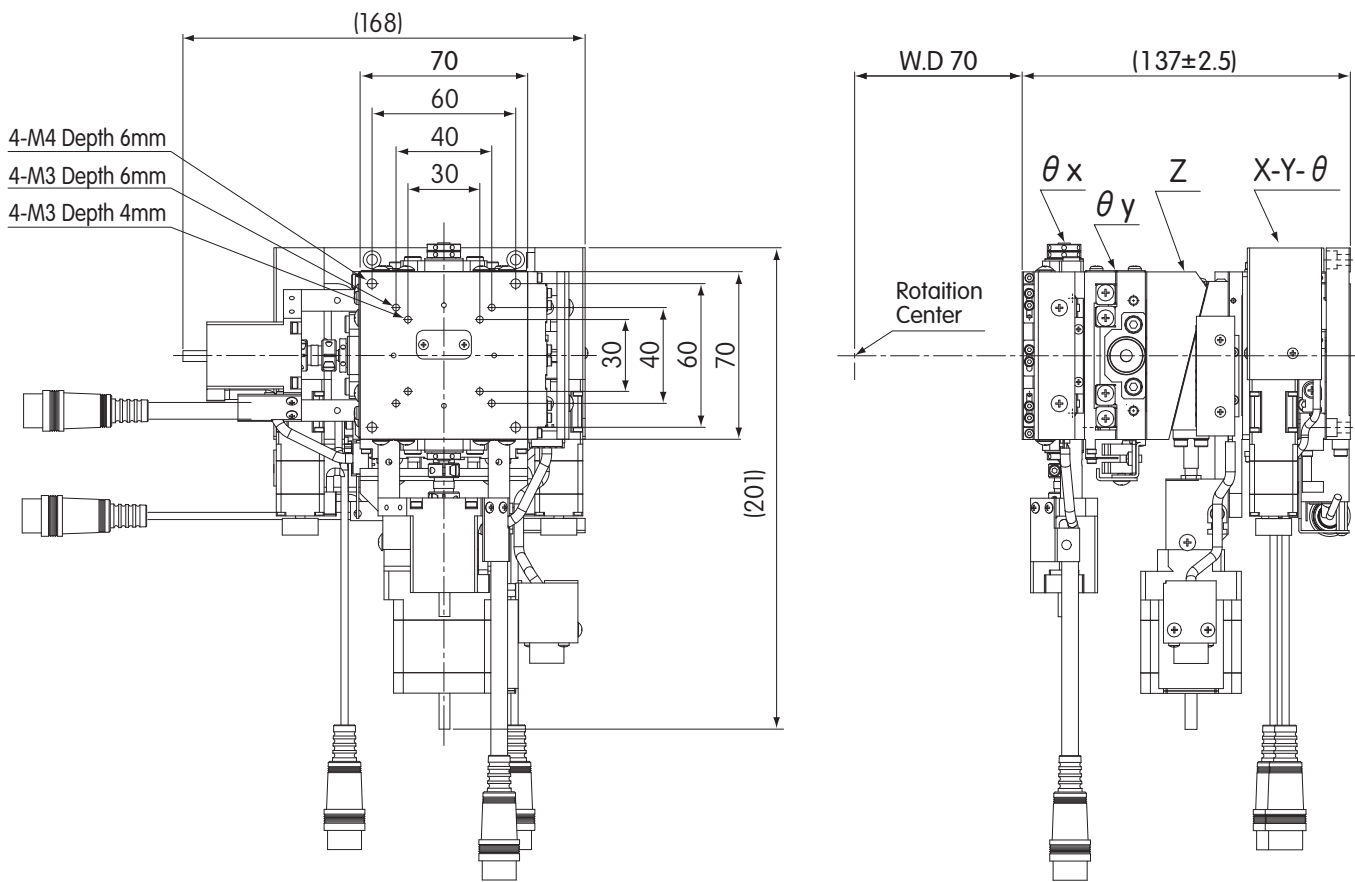
Positioning error will be increased each time we assemble stages. But our stages are designed and assembled with considering very good stiffness. Then, even if total 6 axes are assembled, the stages could keep the high accuracy and stiffness.

- Used for many production equipment for camera module in mobile phone.
- Used for production of high precision camera module with more than 20 million pixels.
- Positionings of sub-microns and angle seconds for alignment of CMOS sensor and lens are realizable.
- Suitable for the assembly of on-board camera module required higher precision in future.

| Axis | Motion Range | Max Speed | Resolution (half Step) |
|------|--------------|------------|------------------------|
| X | ±3mm | 10mm/sec | 1μm |
| Y | | | |
| Z | ±2.5mm | 1.25mm/sec | 0.125μm |
| θ x | ±5° | 11.3°/sec | 0.000378° |
| θ y | ±4.5° | 8.5°/sec | 0.000282° |
| θ z | ±3° | 12.7°/sec | 0.00127° |

Compact 6-Axis Manipulator

SMR-6B2



KOHZU Precision Co., Ltd.
www.kohzuprecision.com

2-6-15, Kurigi, Asao-ku, Kawasaki, Kanagawa 215-8521, JAPAN
 Email : sale@kohzu.co.jp