

Low Profile XYθ Stage

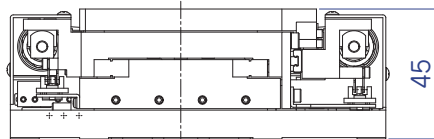
http://www.kohzuprecision.com



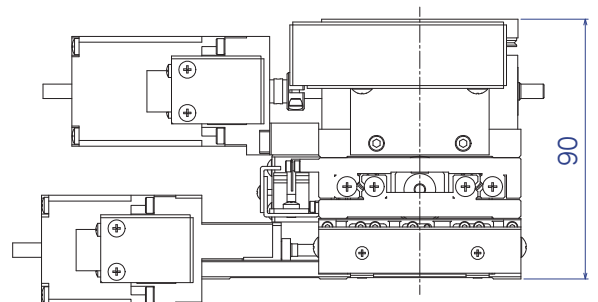
Model : YRA-070
(Table Size □70mm)

Model : YRA-130
(Table Size □130mm)

Size comparison with existing Stages



New Model : YRA070



Existing Model : RA07A-W (upper)
YA07A-R1 (bottom)

Features

[3-axes are integrated in low profile stage]

Slim stage design reduces stack height by 1/2

[Durability]

Ball screw guide mechanism for long life

[Higher Resolution]

Tangent-bar driving mechanism provides higher resolution

[Center Hole]

New Slim Stage equipped with center hole opening through full stroke
(YRA-070:φ10mm YRA-130:φ35mm)

Applications

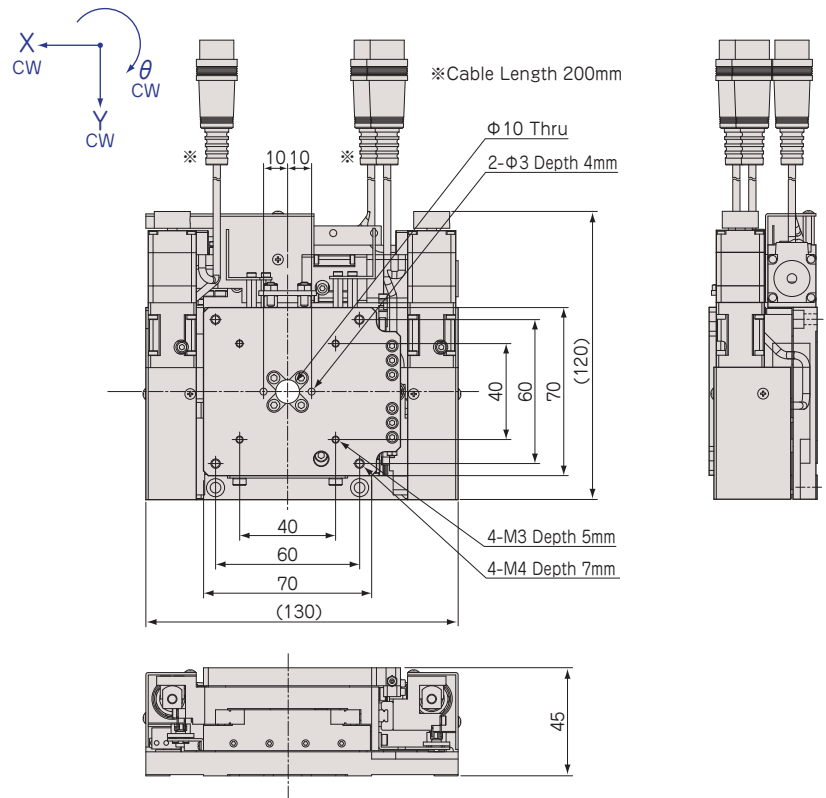
- Alignment, check and bond of Mini Substrate, LCD or Organic EL
- Mark alignment of Screen printing, Substrate
- Various types of inspection

Information in this document is subject to change without notice.

Low Profile Alignment Stage

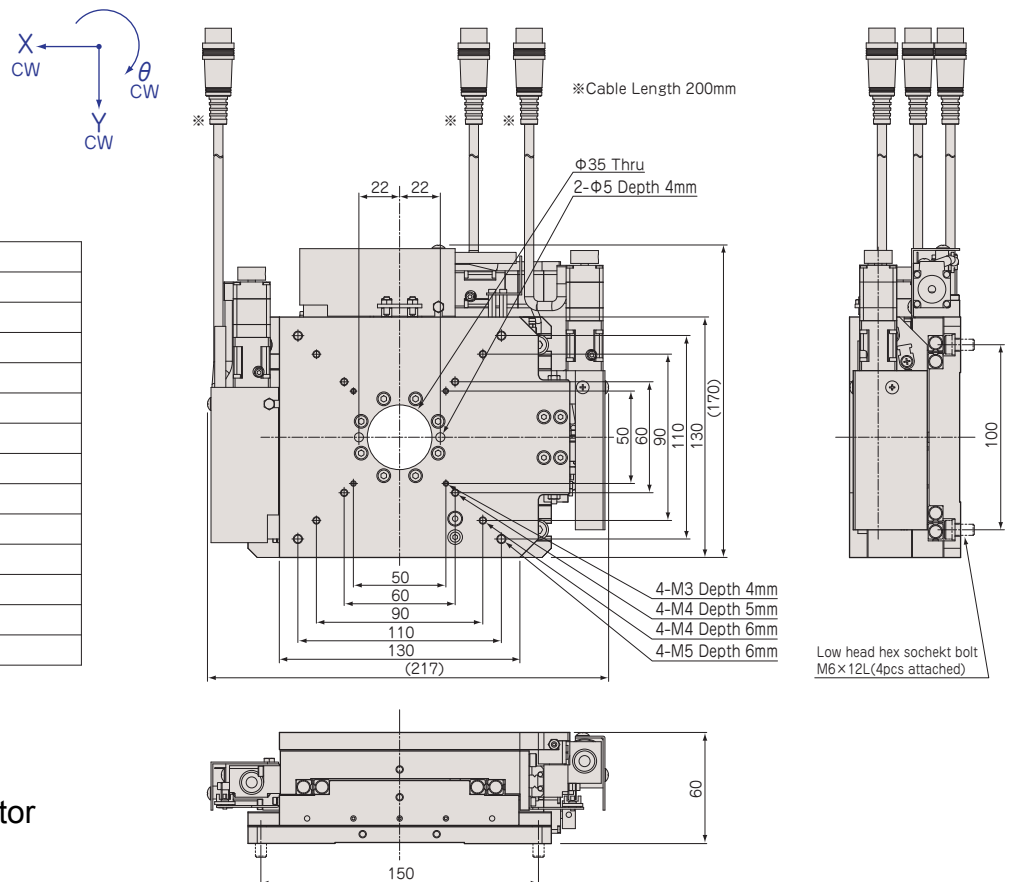
Model :
YRA-070

Table Size	70mm x 70mm
Guide Mechanism XY, θ	Cross-Roller Guide, Cross-Roller Bearing
Motion Range XY, θ	± 3 mm, ± 3 deg
Lead Mechanism	Ball Screw
Ideal Resolution XY	0.001mm/step (Half)
Ideal Resolution θ	0.00127deg/step (Half)
Maximum Speed XY	10mm/sec (10kpps/Half)
Maximum Speed θ	12.7deg/sec (10kpps/Half)
Horizontal Load Capacity	5kg
Material	Aluminum Alloy
Finish	Clear Matte Anodizing
Weight	1.3kg
Motor	Stepping Motor (Phase current 0.35A)
Connector	RP13A-12JG-20PC (Hirose)



Model :
YRA-130

Table Size	130mm x 130mm
Guide Mechanism XY, θ	Cross-Roller Guide, Cross-Roller Bearing
Motion Range XY, θ	± 5 mm, ± 5 deg
Lead Mechanism	Ball Screw
Ideal Resolution XY	0.001mm/step (Half)
Ideal Resolution θ	0.00674deg/step (Half)
Maximum Speed XY	10mm/sec (10kpps/Half)
Maximum Speed θ	6.765deg/sec (10kpps/Half)
Horizontal Load Capacity	5kg
Material	Aluminum Alloy
Finish	Clear Matte Anodizing
Weight	4kg
Motor	Stepping Motor (Phase current 0.35A)
Connector	RP13A-12JG-20PC (Hirose)



Daniel F Crews, LLC
Exclusive North American Distributor
Dan Crews
(303) 944-1082
KOHZU@dfcrews.com

Information in this document is subject to change without notice.

Kohzu Precision Co.,Ltd.
http://www.kohzuprecision.com

CONTACT E-mail : e-sale@kohzu.co.jp