

Long Life Swivel / Goniometer (Tip/Tilt) Stages

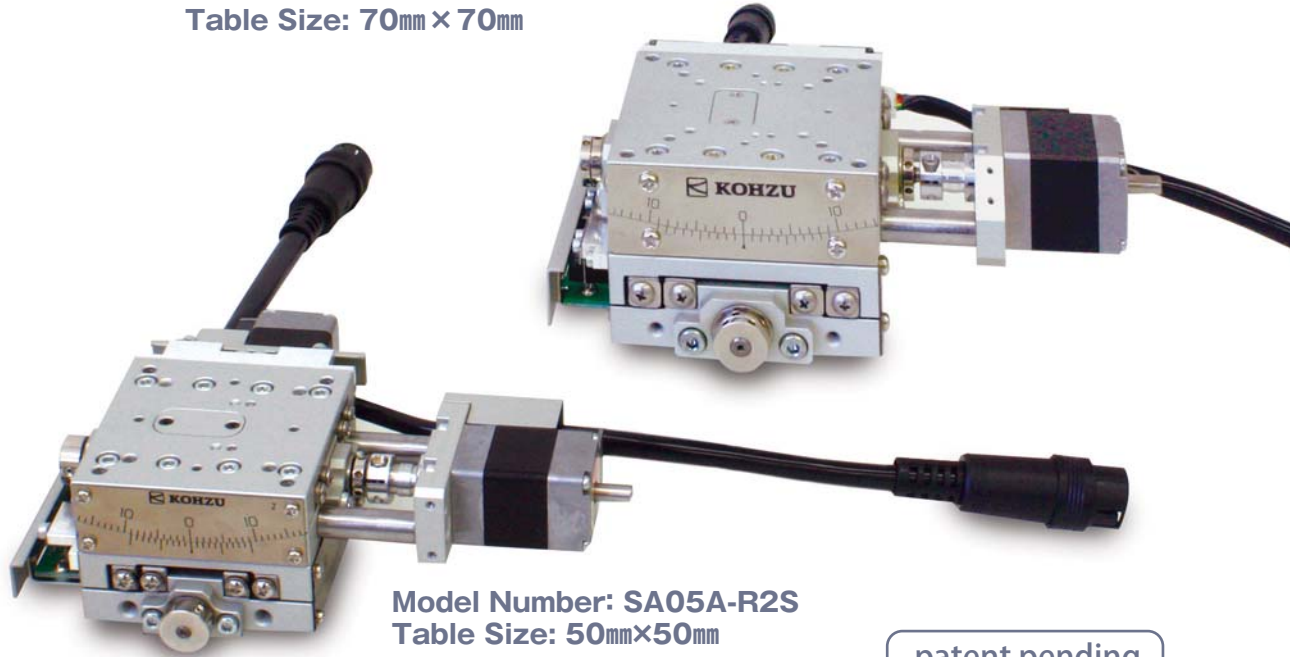


Daniel F Crews, LLC
Exclusive North American Distributor
Dan Crews | (303) 944-1082 | KOHZU@dfcrews.com



Long Cycle Swivel (Tip/Tilt) Stages

Model Number: SA07A-R2S
Table Size: 70mm x 70mm



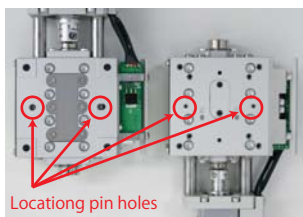
Model Number: SA05A-R2S
Table Size: 50mm x 50mm

patent pending

<http://www.kohzuprecision.com>

Introducing Ball Screw Drive Mechanism

- Ball screw lead mechanism improve higher durability versus previous worm shaft & worm wheel drives.
- Table size 50mm x 50mm stage attained 64% lighter body than previous model . Table Size 70mm x 70mm stage attained 34% lighter body as well.



Location pin holes

Location pin holes available on top and bottom surface for accurate assembly and sample mounting

Information in this document is subject to change without notice.

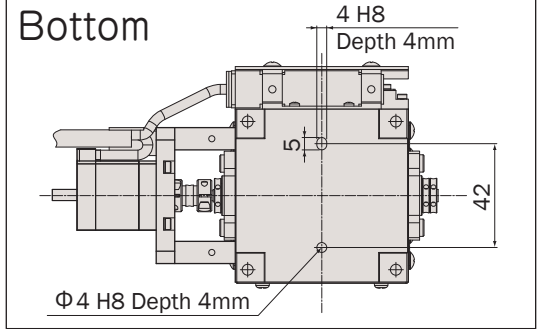
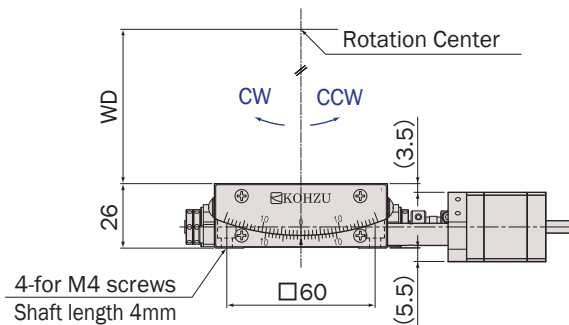
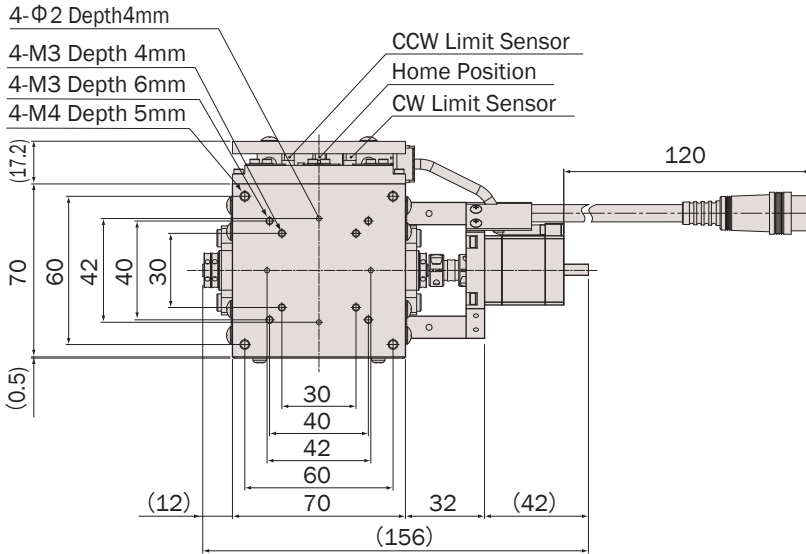
Kohzu Precision Co.,Ltd.

CONTACT E-mail:e-sale@kohzu.co.jp

Daniel F Crews, LLC | Exclusive North American Distributor | Dan Crews | (303) 944-1082 | KOHZU@dfcrews.com

Long Cycle Swivel (Tip/Tilt) Stage

70mm×70mm Swivel Stage

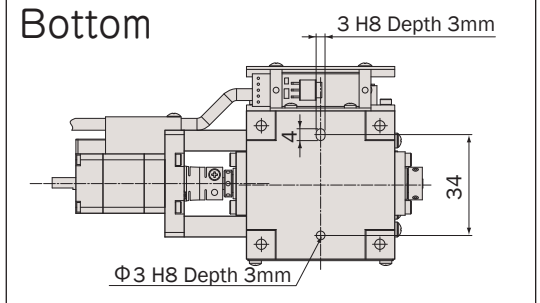
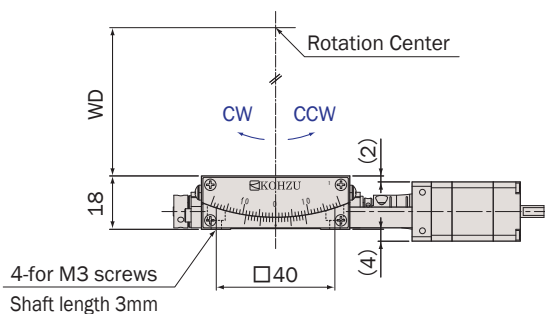
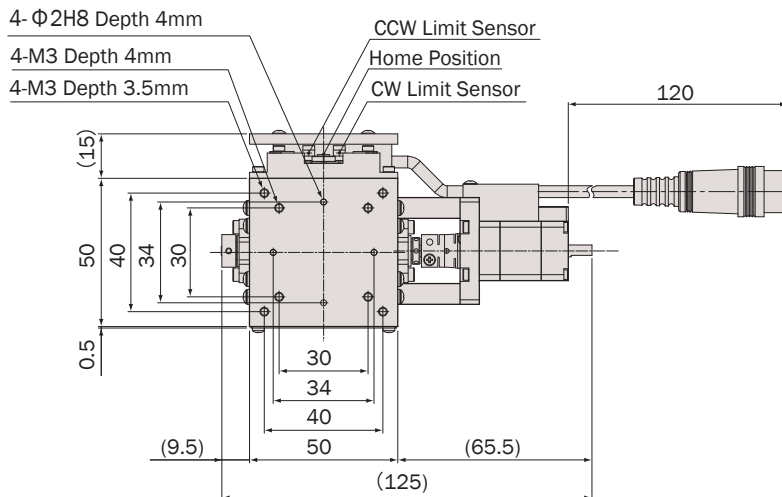


Specifications

Model Number	SA07A-R2T	SA07A-R2M	SA07A-R2B
Table Size	70mm × 70mm		
Guide Mechanism	Cross Roller Bearing		
Motion Range	±5deg	±4.5deg	±4deg
Lead Mechanism	Ball Screw (Φ6, Lead 1)		
Ideal Resolution (Half)	0.000378deg	0.000282deg	0.000224deg
Maximum Speed (Half 30kpps)	11.3deg / sec	8.5deg / sec	6.7deg / sec
Work Distance	70mm ± 0.2mm	96mm ± 0.2mm	122mm ± 0.2mm
Rotation Center Play	Φ0.05mm ± 5deg	Φ0.05mm ± 4.5deg	Φ0.05mm ± 4deg
Lost Motion	0.003deg		
Backlash	0.003deg		
Repeatability	±0.003deg		
Moment Load Stiffness	0.06 arcsec / N·cm		
Horizontal Load Capacity	49N (5kgf)		
Material	Aluminum Alloy		
Finish	Clear-Matte Anodizing		
Weight	0.66kg		
Motor	5-Phase Stepping Motor (0.75A / Phase)		
Connector	RP13A-12JG-20PC		

※Combination of SA07A-R2T and SA07A-R2M form 2-axes swivel stage model SA07A-R2S.
Combination of SA07A-R2M and SA07A-R2B form 2-axes swivel stage model SA07A-R2L.

50mm×50mm Swivel Stage



Specifications

Model Number	SA05A-R2T	SA05A-R2M	SA05A-R2B
Table Size	50mm × 50mm		
Guide Mechanism	Cross Roller Bearing		
Motion Range	±5deg	±4.5deg	±4deg
Lead Mechanism	Ball Screw (Φ4 Lead 1)		
Ideal Resolution (Half)	0.001063deg	0.000797deg	0.000637deg
Maximum Speed (Half 30kpps)	16deg / sec	12deg / sec	9.6deg / sec
Work Distance	50mm ± 0.2mm	68mm ± 0.2mm	86mm ± 0.2mm
Rotation Center Play	Φ0.05mm ± 5deg	Φ0.05mm ± 4.5deg	Φ0.05mm ± 3.5deg
Lost Motion	0.003deg		
Backlash	0.003deg		
Repeatability	±0.003deg		
Moment Load Stiffness	0.03 arcsec / N·cm		
Horizontal Load Capacity	29.4N (3kgf)		
Material	Aluminum Alloy		
Finish	Clear-Matte Anodizing		
Weight	0.27kg		
Motor	5-Phase Stepping Motor (0.75A / Phase)		
Connector	RP13A-12JG-20PC		

※Combination of SA05A-R2T and SA05A-R2M form 2-axes swivel stage model SA05A-R2S.
Combination of SA05A-R2M and SA05A-R2B form 2-axes swivel stage model SA05A-R2L.

Information in this document is subject to change without notice.