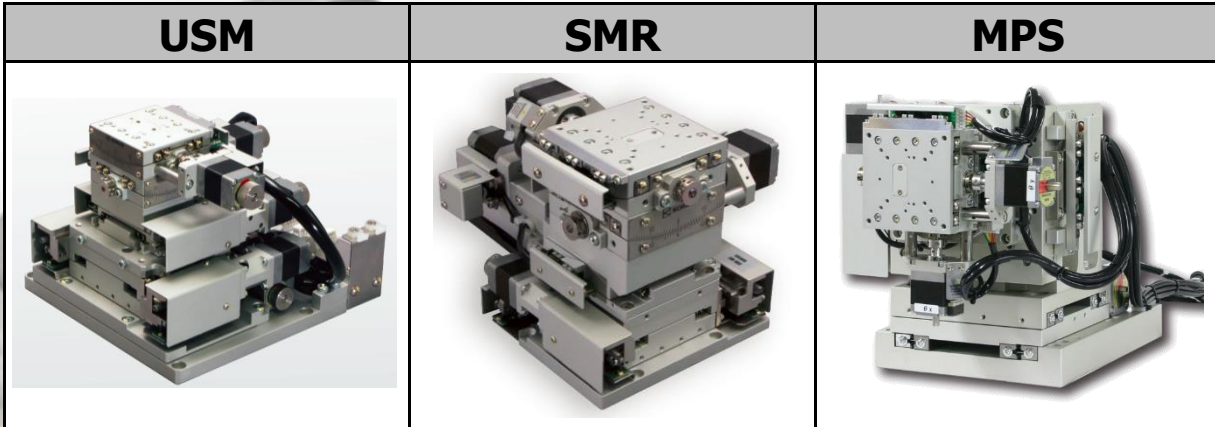




KOHZU

6-Axis Precision Motion Assemblies



See Axis Definitions Next Page

| Travel | USM | SMR | MPS |
|--------|-----------|-----------|-----------|
| X | ± 3.0 mm | ± 3.0 mm | ± 5.0 mm |
| Y | ± 3.0 mm | ± 3.0 mm | ± 5.0 mm |
| Z | ± 1.5 mm | ± 2.5 mm | ± 5.0 mm |
| θx | ± 3.0 deg | ± 5.0 deg | ± 3.0 deg |
| θy | ± 3.0 deg | ± 4.5 deg | ± 3.0 deg |
| θz | ± 3.0 deg | ± 3.0 deg | ± 3.0 deg |

| Max Speed | USM | SMR | MPS |
|-----------|------------|------------|------------|
| X | 10 mm/s | 10 mm/s | 1 mm/s |
| Y | 10 mm/s | 10 mm/s | 1 mm/s |
| Z | 2.5 mm/s | 1.25 mm/s | 10 mm/s |
| θx | 12.7 deg/s | 11.3 deg/s | 3.8 deg/s |
| θy | 9.6 deg/s | 8.5 deg/s | 2.8 deg/s |
| θz | 12.0 deg/s | 12.7 deg/s | 18.0 deg/s |

| 1/2 Step Res | USM | SMR | MPS |
|--------------|-------------|--------------|-------------|
| X | 1.0 μm | 1.0 μm | 0.5 μm |
| Y | 1.0 μm | 1.0 μm | 0.5 μm |
| Z | 0.25 μm | 0.125 μm | 0.5 μm |
| θx | 0.00127 deg | 0.000378 deg | 0.00038 deg |
| θy | 0.00064 deg | 0.000282 deg | 0.00028 deg |
| θz | 0.00079 deg | 0.00127 deg | 0.0036 deg |

Daniel F Crews, LLC | Exclusive North American Distributor

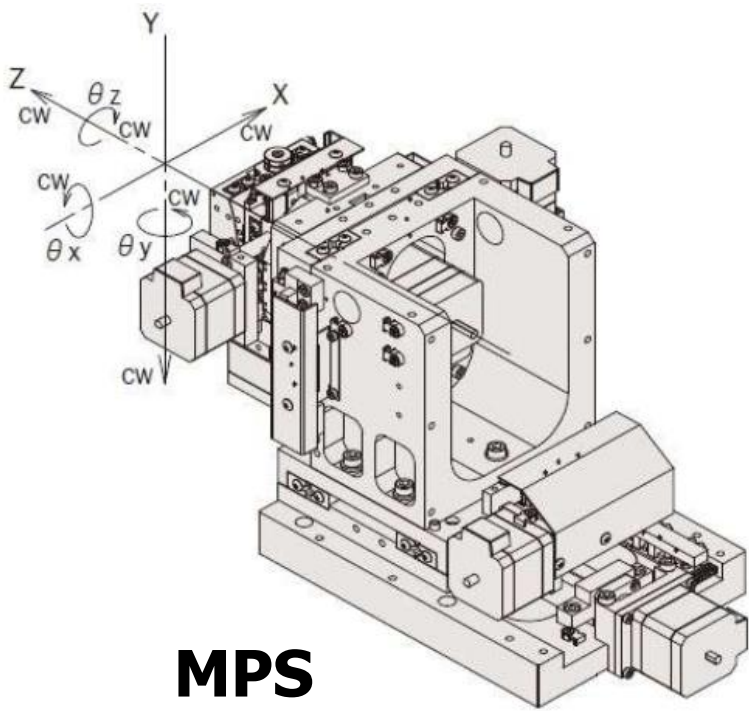
Dan Crews | (303) 944-1082 | KOHZU@dfcrews.com | <https://dfcrews.com/3-axis-6-axis-products/>



KOHZU

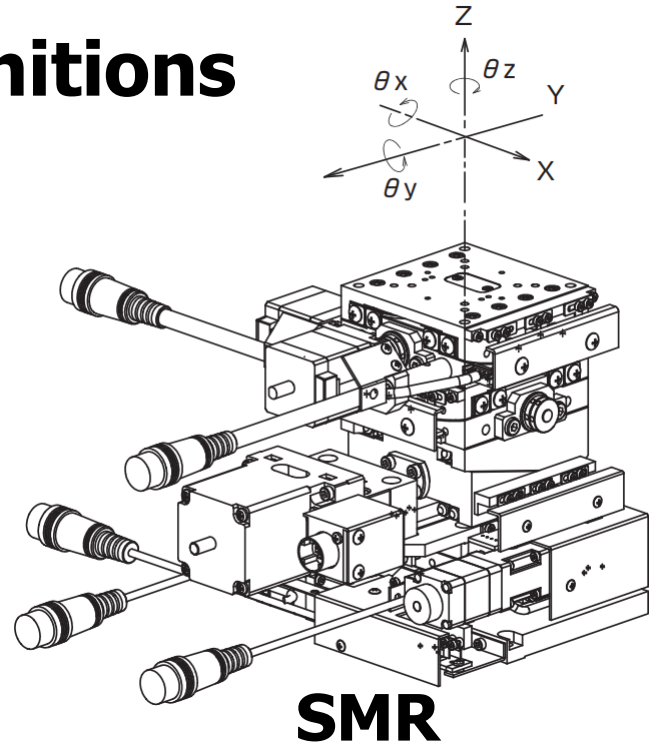
6-Axis Precision Motion Assemblies

Axis Definitions

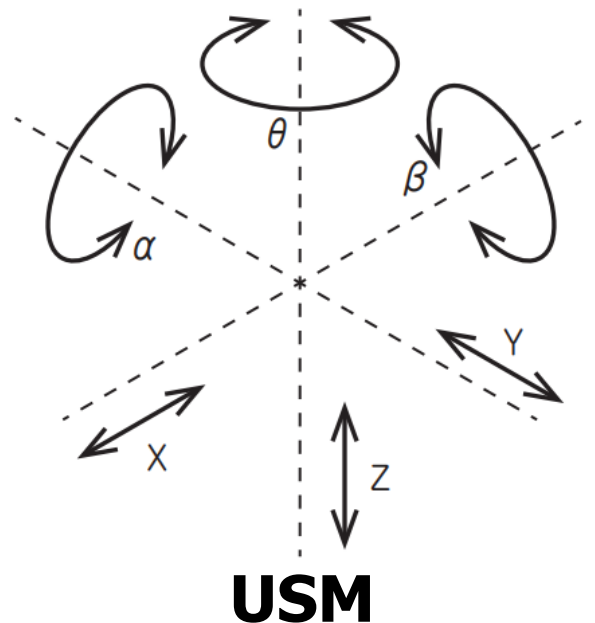


MPS

Note Z-Axis Orientation



SMR



USM